

MINI WALL WASHER

MWW | WALL WASHER



SSA



AB



BLK



BR

CATEGORY

LED Wall Washer

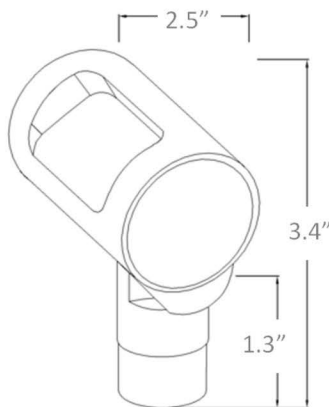
LED LIFE EXPECTANCY | WARRANTY

TM-21 data: Greater than **80,000 hours** (20+ years at 8 hours a day)
 20 Year Warranty
 We run our fixtures **40%** cooler than LM-80 testing standards

SPECIFICATIONS

APPLICATION	CONSTRUCTION	DRIVER SYSTEM	INPUT POWER	INSTALLATION	LEAD WIRES	CRI	CERTIFICATION
Up Light Shadowing Wall Wash Silhouette Architectural Accents	6061 Aluminum C360 Solid Brass	External Driver	10.5-18 VAC	LV180 Ground Stake Included	ULECC 18 AWG Tinned Copper Wire 46 Inch Length	80	UL1838 Low Voltage Landscape Lighting

PRODUCT DIMENSIONS



BE - WATTS / VA / LUMENS

BE - WATTS / VA / LUMENS

20 - 2W/5VA - 160lm

BEAM SPREAD & FINISH

BEAM SPREAD	FINISH
Flood	Architectural Bronze (AB) Black (BLK) C360 Solid Brass (BR) Stainless Aluminum (SSA)

POWER CONSUMPTION

COLOR TEMPERATURE	VA
3000K	5
2700K	5
5000K	5
AMB*	6
BLU	5
RBL	5
GRN	5
RED*	4

INDICATES STOCKED ITEMS

ADDITIONAL INFO

- Built in USA | Tampa, FL
- For custom light output, contact your sales associate
- *Color Temperature Amber and Red are not Turtle Friendly; see our Turtle Friendly fixtures for more information

PHOTOMETRICS

*Complete IES files furnished upon request.

FEATURES

- Overdesigned heat sink and thermal management for longevity and consistency
- Dedicated LED fixtures
- Machined Metal Ingot, not Cast Material
- Proprietary design-enhanced and robust driver technology
- Remarkably tight binning process. 2-step MacAdam ellipse to ensure consistent light output and no variant light
- Surge protection built into every driver

