

F9020 LED MIAMI PATH LIGHT

F9020 | PATH LIGHT



CATEGORY

LED Path Light

LED LIFE EXPECTANCY | WARRANTY

TM-21 data: Greater than **80,000 hours** (20+ years at 8 hours a day)

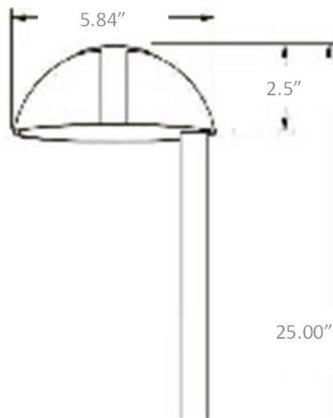
20 Year Warranty

We run our fixtures **40%** cooler than LM-80 testing standards

SPECIFICATIONS

APPLICATION	CONSTRUCTION	DRIVER SYSTEM	INPUT POWER	INSTALLATION	LEAD WRES	CRI	CERTIFICATION
Pathways Walkways Patios Small Areas	Die Cast Aluminum HP Enamel	External Driver	10.5-18 VAC	Ground Stake Included	ULECC 18 AWG Tinned Copper Wire 27 Inch Length	80	UL1838 Low Voltage Landscape Lighting

PRODUCT DIMENSIONS



WATTS / VA / LUMENS

WATTS / VA / LUMENS

2W/5VA - 160lm

BEAM SPREAD & FINISH

BEAM SPREAD	FINISH
Flood	Black (BLK) Architectural Bronze (AB)

POWER CONSUMPTION

COLOR TEMPERATURE	VA
3000K	5
2700K	5
5000K	5
AMB*	6
BLU	5
RBL	5
GRN	5
RED*	4

INDICATES STOCKED ITEMS

PHOTOMETRICS

*Complete IES files furnished upon request

FEATURES

- Overdesigned heat sink and thermal management for longevity and consistency
- Dedicated LED fixtures
- Proprietary design-enhanced and robust driver technology
- Remarkably tight binning process. 2-step MacAdam ellipse to ensure consistent light output and no variant light
- Surge protection built into every driver

ADDITIONAL INFO

- Built in USA | Tampa, FL
- For custom light output, contact your sales associate
- *Color Temperature Amber and Red are not Turtle Friendly; see our Turtle Friendly fixtures for more information

