

# LARGE WELL LIGHT

## WL | WELL LIGHT

### CATEGORY

LED Well Light

### LED LIFE EXPECTANCY | WARRANTY

TM-21 data: Greater than **80,000 hours** (20+ years at 8 hours a day)

20 Year Warranty

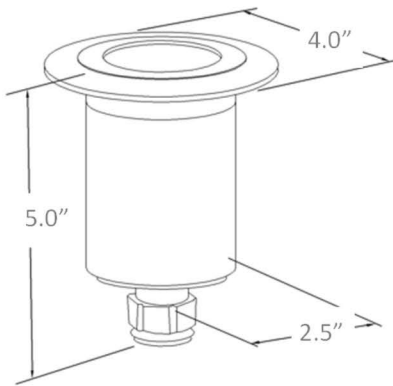
We run our fixtures **40%** cooler than LM-80 testing standards



### SPECIFICATIONS

APPLICATION	CONSTRUCTION	DRIVER SYSTEM	INPUT POWER	INSTALLATION	LEAD WIRES	CRI	CERTIFICATION
Up Light Shadowing Wall Wash Silhouette Architectural Accents	6061 Aluminum C360 Solid Brass	Internal Driver	10.5-18 VAC	PVC Well Light Sleeve Included	ULECC 18 AWG Tinned Copper Wire 46 Inch Length	80	UL1838 Low Voltage Landscape Lighting

### PRODUCT DIMENSIONS



### PHOTOMETRICS

\*Complete IES files furnished upon request.

### BE - WATTS / VA / LUMENS

BE - WATTS / VA / LUMENS
<b>20</b> - 2W/4VA-160lm
<b>35</b> - 4W/7VA-400lm
<b>50</b> - 6W/10VA-540lm
<b>75</b> - 9W/15VA-740lm

### FEATURES

- Compression lens technology, no glue
- Overdesigned heat sink and thermal management for longevity and consistency
- Dedicated LED fixtures
- Machined Metal Ingot, not Cast Material
- Proprietary design-enhanced and robust driver technology
- Remarkably tight binning process. 2-step MacAdam ellipse to ensure consistent light output and no variant light
- Surge protection built into every driver

### ADDITIONAL INFO

- Built in USA | Tampa, FL
- For custom light output, contact your sales associate
- \*\*Fuchsia and Lavender require additional lead time
- \*Color Temperature Amber and Red are not Turtle Friendly; see our Turtle Friendly fixtures for more information

### BEAM SPREAD & FINISH

BEAM SPREAD	FINISH
12° 25° 40° 60°	C360 Solid Brass (BR) Stainless Aluminum (SSA)

### POWER CONSUMPTION

COLOR	TEMPERATURE	VA	VA	VA	VA
Yellow	3000K	4	7	10	15
Yellow	2700K	4	7	10	15
Yellow	5000K	4	7	10	15
Orange	AMB*	6	10	11	17
Blue	BLU	6	11	11	17
Blue	RBL	4	11	11	17
Green	GRN	6	11	11	17
Red	RED*	4	8	8	13
Purple	FSA**	N/A	N/A	9	15
Purple	LVR**	N/A	N/A	10	16

INDICATES STOCKED ITEMS

